

DECLARATION OF PERFORMANCE NR 003-05-CPR-2015

1. Unique identification code of the product type:

Fire dampers type mcr FID PRO with a fire resistance classification according EN 13501-3:2005
EI 120 (v_e h_o i↔o) S
EI 180 (h_o i↔o) S
EI 60 (v_e h_o i↔o) S

2. Intended use and scope of application of the product:

Fire dampers type mcr FID PRO are designed to be used in comfort (general) ventilation systems at places where these systems pass through space dividing elements of certain fire resistance class. The dampers are to prevent the spread of fire and smoke via ventilation systems.

3. Manufacturer:

„MERCOR” S.A., ul. Grzegorza z Sanoka 2, 80-408 Gdańsk, Production Site Ul. Kwarцова 3a, 83-031 Ciepłowo and 380-470.

4. System of assessment and verification of constancy of performance of the product:

System 1

5. Construction product covered by the harmonised standard:

PN-EN 15650:2010 (EN 15650:2010)

6. Notified body name and No., certificate of conformity No.:

Notified Body No. 2434, Centrum Techniki Okrętowej S.A, ul. Szczecińska 65, 80-392 Gdańsk.
Certificate of Constancy of Performance: 2434-CPR-0009

7. Declared performance:

Essential characteristics	EN 15650	Performance			Result
Nominal activation conditions/sensitivity	4.2.1.2				Pass
Sensing element response temperature	4.2.1.2.2.	ISO 10294-4: 2001, pkt 4.2			
Sensing element load bearing capacity	4.2.1.2.3	ISO 10294-4: 2001, pkt 4.2			
Response time/ Closure time	4.2.2.2	<2 minutes			Pass
Operational reliability / Cycling	4.3.1. a)	C50			Pass
Fire resistance – integrity	4.1.1 a)	E120	E180	E60	Pass
Fire resistance – insulation	4.1.1 b)	EI120	EI180	EI60	Pass
Fire resistance – smoke leakage	4.1.1 c)	EIS120	EIS180	EIS60	Pass
Mechanical stability (E class)	4.1.1 a)	-	-	-	Pass
Maintenance of the cross section (E class)	4.1.1 a)	-	-	-	Pass
Operation time durability:	4.2.1.2.2	-	-	-	Pass
	4.2.1.2.3	-	-	-	Pass
Reliability:	4.3.3.2	10 000	10 000	-	Pass

8. Additional properties:

Additional characteristics	EN 15650	Performance			Result
Horizontal / vertical axis of rotation	-	Yes	Yes	-	Pass
Fire resistance classification	4.3.2	EI 120 (v _e h _o i↔o) S	EI 180 (h _o i↔o) S	EI 60 (v _e h _o i↔o) S	Pass
Size range		round damper, dimensions: from DIA100 to DIA315 [mm]			

DWU_003-05-CPR-2015_FID PRO EN_20221129 1/4

Systemy zabezpieczeń przeciwpożarowych
Fire protection systems

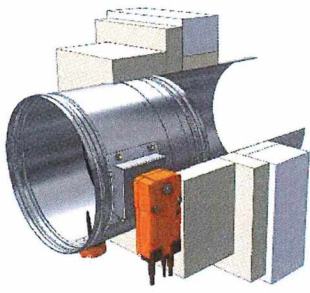
„MERCOR” S.A.
ul. Grzegorza z Sanoka 2, 80-408 GDAŃSK, Polska
tel. (+48 58) 341 42 45, fax (+48 58) 341 39 85
e-mail: mercor@mercor.com.pl
www.mercor.com.pl

Installation	Type of partition	Installation type	Partition thickness
	lightweight walls/shafts made of boards	Using mortar or mineral wool	min. 125mm
	Solid walls/shafts made of concrete blocks, hollow masonry units	Using mortar or mineral wool	min. 125mm
	Solid walls/shafts	Using mortar or mineral wool	min. 125mm
	Solid ceiling	Using mortar	min. 150mm

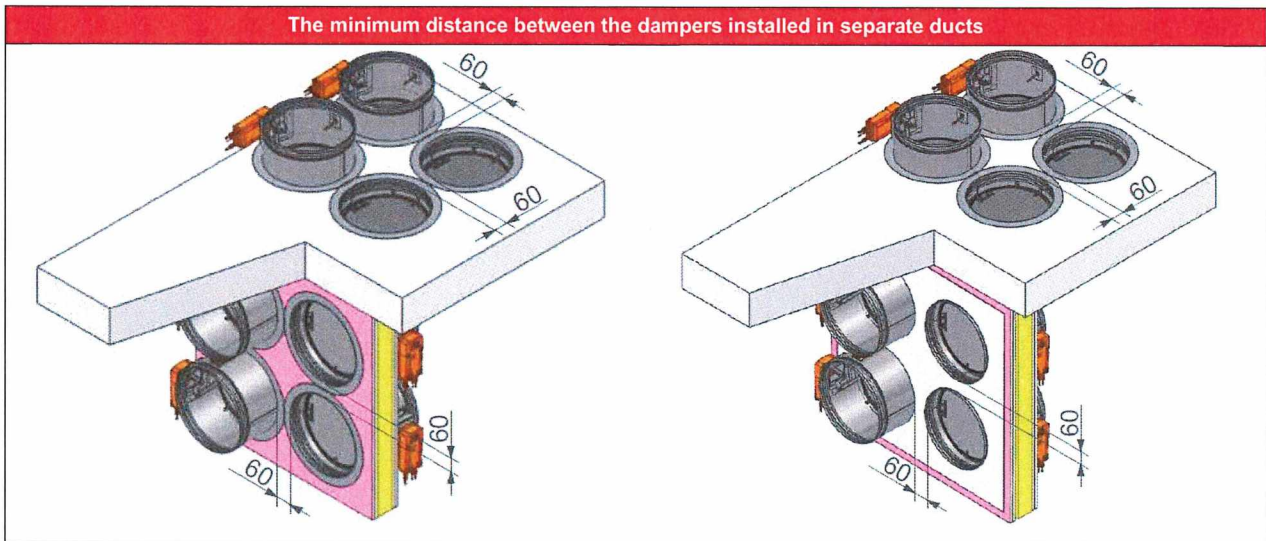
DWU_003-05-CPR-2015_FID PRO EN_20221129 2/4



Systemy zabezpieczeń przeciwpożarowych
Fire protection systems

„MERCOR” S.A.
ul. Grzegorza z Sanoka 2, 80-408 GDAŃSK, Polska
tel. (+48 58) 341 42 45, fax (+48 58) 341 39 85
e-mail: mercor@mercor.com.pl
www.mercor.com.pl

	<p>Outside the vertical partitions mentioned above</p>	<p>Using fire protective board system, providing fire resistance is not less than the resistance of wall</p>	<p>min. 125mm</p>
---	--	--	-------------------

The damper assembly in mineral wool and outside the building partition is possible for the EIS120 damper. Mounting details included in the device's OMM. The damper assembly is possible with the release and control mechanisms given in the table below.



Release and control mechanisms	
	<p>Actuators type: BFL...-T (-ST), the voltage 24V i 230V, EXBF24-T, BF24TL-T-ST, BF24TL-TN-ST MLF 230 T1 and MLF 24 T1</p>
	<p>RST/KW1/S with an electromagnetic release device ensuring remote response comfort</p>

DWU_003-05-CPR-2015_FID PRO EN_20221129 3/4

Systemy zabezpieczeń przeciwpożarowych
Fire protection systems

„MERCOR” S.A.
ul. Grzegorza z Sanoka 2, 80-408 GDAŃSK, Polska
tel. (+48 58) 341 42 45, fax (+48 58) 341 39 85
e-mail: mercor@mercortm.com.pl
www.mercortm.com.pl

	Release and control mechanisms type RST,
---	--

The performance of the product identified above is in conformity with the set of declared performance/s (point 7). This declaration of performance is issued, in accordance with Regulation (EU) No 305/2011, under the sole responsibility of the manufacturer identified above.

Gdańsk, 29.11.2022



mercortm
Tomasz Kobyliński
KIEROWNIK ZAKŁADU PRODUKCJI
SYSTEMÓW WENTYLACJI POŻAROWEJ

Tomasz Kobyliński

Rev. 13

DWU_003-05-CPR-2015_FID PRO EN_20221129 4/4